



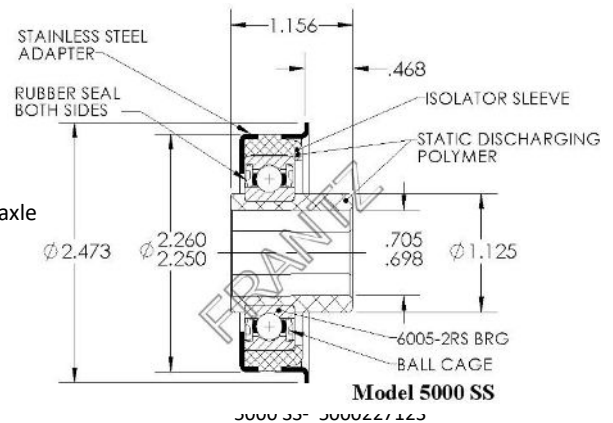
5000-SS

GenStar® Precision Bearings



Specifications

- Bearing Type:** ABEC-1 Precision Chrome Steel
- Adapter Material:** 304 Stainless Steel
- Load Capacity:** 800 lbs.
- Mounting Type:** Slip & Swage
- Tube Size/Gauge:** 2-1/2" x 11g, 2-5/8" x 7g
- Max OD of Body:** 2.26"
- Bore Size & Type:** 11/16" – Hex
- Extension:** .468
- Lubrication:** Grease
- Noise Level:** Quiet – plastic bushing dampens vibration while absorbing axle deflection as bushing conforms to axle
- Static Discharge:** Yes, Direct Injection Molded
- Temperature Range:** -4 to 180 Fahrenheit
- Protection:** Rubber Seal, Front & Back
- Regreasable:** No – Maintenance Free



Applications: Benefits & Features

- Stainless Steel Adapter:** Stainless Steel Adapter offers excellent strength, corrosion resistance and allows intermittent washdown. Stainless steel adapter makes this ideal for areas where aesthetics or corrosion is a concern.
- Extreme Impact and Corrosive Resistance:** Polymer Isolator Sleeve design protects ABEC core bearing in extreme conditions. Iron Grip Stainless Steel adapter is strong and durable allowing for secure swage fitment.
- Targeted Applications:** Flow Rack, Pallet Rack, CDLR (Chain Driven Live Rollers), Palletizers, Pressure and Snubber Rollers, Stone Fabrication (Heavy loads, extreme tension and/or high impact application). Direct injection molding also allows achievement of excellent concentricity for added durability.
- Can be used in high-speed applications:** Direct injection molded polymer static discharge housing and bushing are standard and can be used in high-speed powered conveyor applications.
- Long Life:** Bench tested 46" BF roller with 620 LBS per bearing at greater than 15 million revolutions @ 400 RPM / 262 SFM. Core ABEC bearing rated at 2,260 lbs.

...Roll Easy with FRANTZ®

FRANTZ

Customer Service, Product Samples and Quotations: 815.625.7063

FRANTZ Manufacturing Company P.O. Box 497, Sterling IL 61081-0497 www.frantz-mfg.com