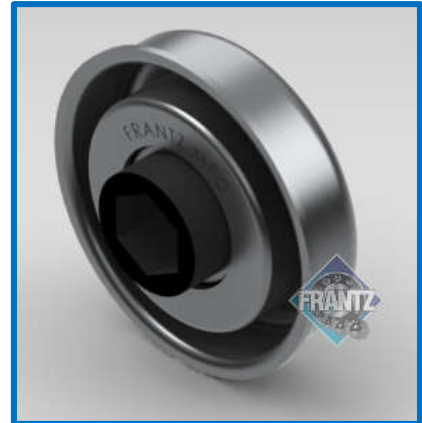




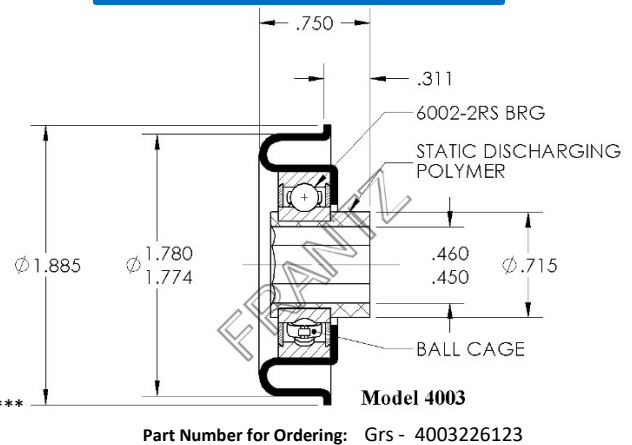
4003

GenStar® Precision Bearing



Specifications

- Bearing Type:** ABEC-1 Precision
- Load Capacity:** 300 lbs.
- Mounting Type:** Swage or Press Fit *
- Tube Size/Gauge:** 1.9" x 16g **
- Max OD of Body:** 1.780"
- Bore Size & Type:** 7/16" – Hex
- Extension:** 5/16"
- Lubrication:** Grease;
- Noise Level:** Quiet
- Static Discharge:** Yes, Direct Injection Molded
- Temperature Range:** -4 to 150 Fahrenheit
- Protection:** Rubber Seals Front & Back
- Regreasable:** No – Maintenance Free
- Optional:** Low Temp Exxon Beacon 325 Grease***
Stainless Steel Version****



Applications: Benefits & Features

- Dual Purpose Bearing:** Great for use in either gravity or powered conveyor applications. Greased ABEC-1 Bearing provides maintenance-free operation.
- Targeted Applications:** Conveyor manufacturers, distribution/warehousing, food & beverage, air cargo/airports, manufacturing equipment and packaging equipment. The low noise rating is a function of polymer bushing integrated with precise rolling elements.
- Can be used in high-speed applications:** Direct injection molded polymer static discharge bushing is standard and allows for excellent concentricity. Can be used in high speed powered conveyor applications.
- Long Life:** Bench tested up to 780 SFM / 1228 RPM carrying a continuous load of 600 lbs. per roller. The core ABEC-1 bearing is rated at 1260 lbs. The ABEC-1 high speed rating coupled with the FRANTZ® IronGrip adapter assures long product life in many material handling and specialty equipment manufacturing applications.

* In Press Fit application, FRANTZ recommends a tube inside diameter with no less than 0.003" to 0.008" press fit interference. Contact FRANTZ Customer Service if you have questions regarding Press Fit applications.

** May be used in 2.0" x 12-gauge tube with Slip & Swage fitment.

*** See **4003 LT** spec sheet for Exxon Beacon 325 Grease cold temperature bearing.

**** See **4003 SS** spec sheet for Stainless Steel Version.

...Roll Easy with FRANTZ®

FRANTZ

Customer Service, Product Samples and Quotations: 815.625.7063

FRANTZ Manufacturing Company P.O. Box 497, Sterling IL 61081-0497 www.frantz-mfg.com