



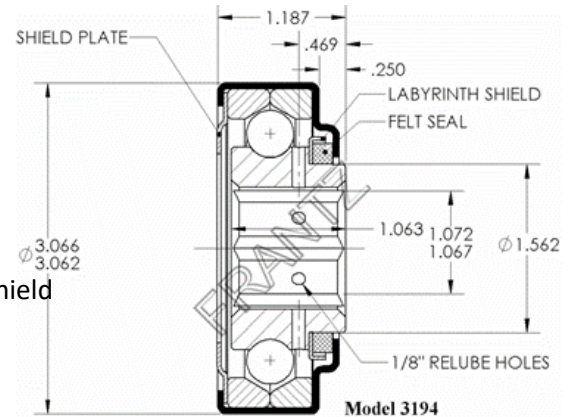
# 3194

## Semi-Precision Bearing



### Specifications

- Bearing Type:** Straight Faced Semi-Precision
- Load Capacity:** 1,250 lbs.
- Mounting Type:** Counterbore & Press Fit
- Tube Size/Gauge:** 3.5" x 0.30" \*
- Max OD of Body:** 3.066"
- Bore Size & Type:** 1-1/16" – Hex
- Extension:** 0.250"
- Lubrication:** Oil or Grease
- Temperature Range:** Oil, -10 to 200 F°  
Grease, -4 to 200 F°
- Protection:** Front – Felt Seal, Labyrinth Shield  
Rear – Shield Plate
- Regreasable:** Yes – Inner Race Ports



\* Also press fit into 3-1/4" x 13g, 3-1/4" x 12g, 3-1/2" x 7/32", 3-5/8" x 9/32" and 3-3/4" x 11/32" tubes.

Part Number for Ordering:  
Oil - 3194226023  
Grs - 3194226123

### Applications: Benefits & Features

- Semi-Precision Bearing:** FRANTZ 3100 Series is specially designed to be press fit into counterbored heavy wall tube. Rollers exposed to 'high-impact' shock zones and loads are suitable for the 3100 Semi-Precision Series. Precise machined outer races and the use of high precision chrome balls are distinguishing factors that allow for heavier load capacities. Seals and/or shield options help prevent contamination from entering the rolling elements.
- Targeted Applications:** Gravity, push or CDLR powered conveyor applications at low to medium speeds used primarily in packaging, palletizing, shipping/warehousing, foundries, cargo dollies and assembly where high load capacity is required or where heavy 'impact zone' bearings are required. Felt seal also protects ball complement for use in dusty environments. Interchanges with Mathews B1081 bearing.
- Ball Quality:** FRANTZ utilizes high precision chrome balls in the 3100 Series to support heavier load capabilities, thus providing another level of quality over competitive models.
- Long Life:** FRANTZ 3100 Series Semi-Precision bearings are engineered and tested to exceed the CEMA standard or one million revolutions.

Customer Service, Product Samples and Quotations: 815.625.7063

FRANTZ Manufacturing Company P.O. Box 497, Sterling IL 61081-0497 [www.frantz-mfg.com](http://www.frantz-mfg.com)

...Roll Easy with FRANTZ®

FRANTZ