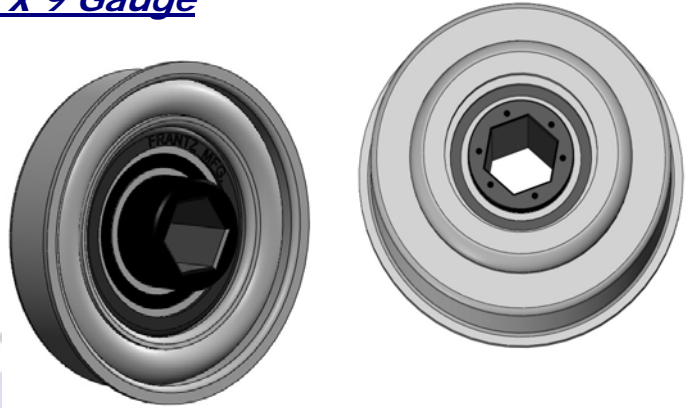


FRANTZ GenStar™ 6000 Precision Bearing

3.5" x 9 Gauge

- Load capacity 1000 # per bearing
- 6005-2RS Precision ABEC 1 Sealed Core Bearing
- Performs in high impact load environments
- Quiet running operation
- *IronGrip* carbon steel adapter
- Insert molded static discharging bushing/sleeve



Load & Life

3-1/2" x 9 gauge rollers utilizing a crimped FRANTZ GenStar™ 6000 Precision Bearing assembly with standard 11/16" hex endure testing at 300 surface feet per minute carrying a continuous load of 2000 lbs.

Precision Core Bearing

Load rating of the ABEC-1 6005-2RS precision core bearing is 2260 lbs. Double seals contain the lubrication and seal out contaminants.

Noise Levels

FRANTZ GenStar™ precision bearing runs at approximately 50 decibels compared to FRANTZ commercial stamped metal bearings at approximately 88 decibels. The insert molded plastic components prove to reduce noise level within the precision bearing assembly.

IronGrip Metal Adapter

IronGrip carbon steel adapter allows a very secure fit in a roller assembly without sacrificing bearing clearances.

Insert Molded Polypropylene Components

The feature of insert molding static discharging polypropylene material within the ABEC 1 bearing assembly proves to be robust in both static and dynamic loads. Results reflect the insert molded one piece bushing outperforms traditional "push-in" latching style bushings both in load and life expectancy. Axle lug/bushing interference issues are reduced compared to typical latching style inserts as well. The isolator sleeve allows for tubing variation and absorbs crimping pressures alleviating tight bearings compared to a precision bearing pressed directly into a metal adapter. The polypropylene sleeve is molded within the metal adapter slots to aid in retention. Excellent concentricity is achieved through the molding process resulting in higher quality and longer life. Actual field tests have proven the bearing to react well in high impact environments.

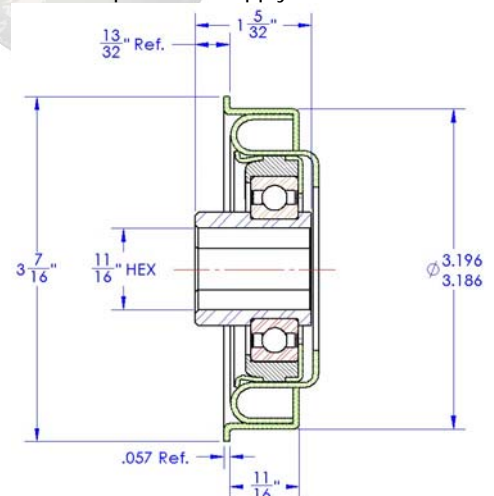
Lubrication

ABEC-1 6005-2RS precision core bearings are offered standard with lithium and calcium based grease that exhibits good rust and corrosion resistant properties. Excellent noise reducing ability and mechanical stability are additional characteristics. Temperature range of the grease is -4 to 240 degrees Fahrenheit. Recommended ambient operating temperature range of the bearing is -4 to 180 degrees Fahrenheit.

Assembly

The FRANTZ GenStar™ 6000 bearing assembly is intended to be pressed and crimped into metal tubing. A precise fit-up between the bearing assembly and roller will aid in increasing bearing life. FRANTZ Manufacturing has the expertise to supply 3-1/2" GenStar™ Precision Bearing crimp tooling as well.

Whether the need for a 3-1/2" GenStar™ Precision bearing or Non-Precision commercial grade conveyor bearing, FRANTZ products allow for proven results.



FRANTZ Bearing Division

3201 West LeFevre Road

Sterling IL 61081

Ph: (815)625-7063

www.frantz-mfg.com