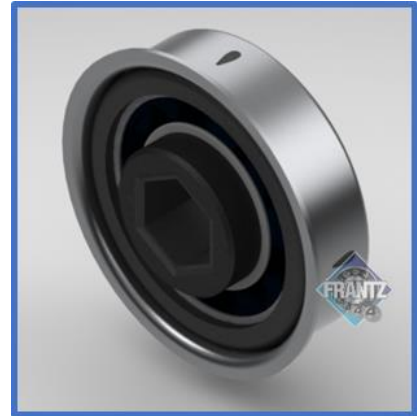




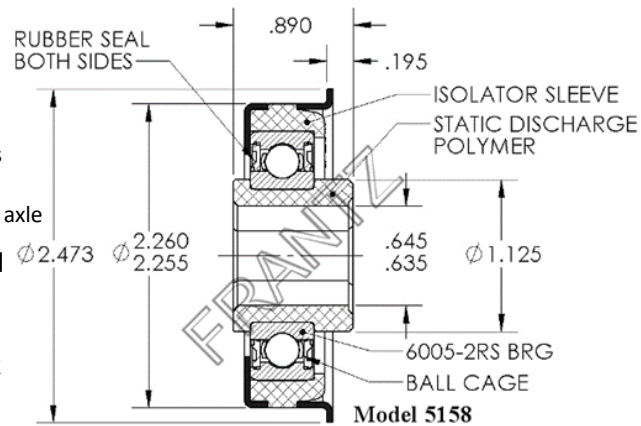
5158

GenStar® Precision Bearings



Specifications

- Bearing Type:** ABEC-1 Precision
- Load Capacity:** 1,000 lbs.
- Mounting Type:** Press & Swage Fit *
- Tube Size/Gauge:** 2-1/2" x 11g
- Max OD of Body:** 2.26"
- Bore Size & Type:** 5/8" – Hex
- Extension:** .195"
- Lubrication:** Grease
- Noise Level:** Quiet – plastic bushing dampens vibration while absorbing axle deflection as bushing conforms to axle
- Static Discharge:** Yes, Direct Injection Molded
- Temperature Range:** -4 to 180 Fahrenheit
- Protection:** Rubber Shield, Front & Back
- Regreasable:** No – Maintenance Free



Part Number for Ordering:
Grease - 5158226123

Applications: Benefits & Features

- Extreme Impact Resistance:** Heavy 1,000 lbs. rating plus polymer **Isolator Sleeve** design protects ABEC core bearing in extreme conditions. IronGrip carbon steel adapter allows for secure swage fitment.
- Targeted Applications:** Commonly used in pressure rollers for the Corrugated Box / Folding Carton industry. Also used in Flow Rack, Pallet Rack, CDLR (Chain Driven Live Rollers), Palletizers, Pressure and Snubber Rollers. Direct injection molding also allows achievement of excellent concentricity for added durability.
- Can be used in high-speed applications:** Direct injection molded polymer static discharge housing and bushing are standard and can be used in high speed powered conveyor applications.
- Long Life:** Bench tested at greater than 20 million revolutions @ 1,000 RPM / 816 SFM. Core ABEC bearing rated at 2,260 lbs.

* Not intended for straight Press Fit only.

...Roll Easy with FRANTZ®

FRANTZ

Customer Service, Product Samples and Quotations: 815.625.7063

FRANTZ Manufacturing Company P.O. Box 497, Sterling IL 61081-0497 www.frantz-mfg.com