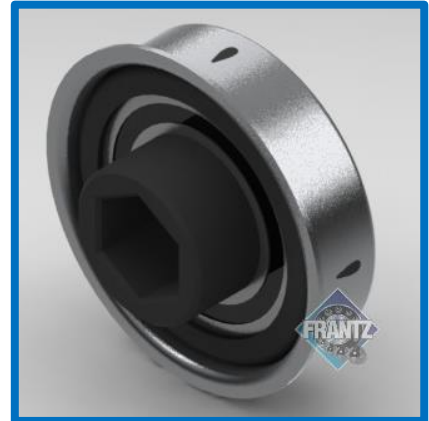




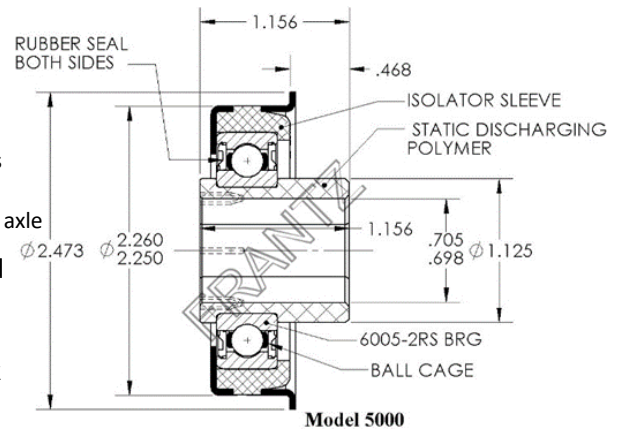
5000

GenStar® Precision Bearings



Specifications

- Bearing Type:** ABEC-1 Precision
- Load Capacity:** 1,000 lbs.
- Mounting Type:** Press & Swage Fit *
- Tube Size/Gauge:** 2-1/2" x 11g, 2-5/8" x 7g
- Max OD of Body:** 2.26"
- Bore Size & Type:** 11/16" – Hex
- Extension:** .468
- Lubrication:** Grease
- Noise Level:** Quiet – plastic bushing dampens vibration while absorbing axle deflection as bushing conforms to axle
- Static Discharge:** Yes, Direct Injection Molded
- Temperature Range:** -4 to 180 Fahrenheit
- Protection:** Rubber Shield, Front & Back
- Regreasable:** No – Maintenance Free



Part Number for Ordering:
5000 - 5000226123

Applications: Benefits & Features

- Extreme Impact Resistance:** Heavy 1,000 lbs. rating plus polymer **Isolator Sleeve** design protects ABEC core bearing in extreme conditions. IronGrip carbon steel adapter allows for secure swage fitment.
- Targeted Applications:** Flow Rack, Pallet Rack, CDLR (Chain Driven Live Rollers), Palletizers, Pressure and Snubber Rollers, Stone Fabrication (Heavy loads, extreme tension and/or high impact application). Direct injection molding also allows achievement of excellent concentricity for added durability.
- Can be used in high-speed applications:** Direct injection molded polymer static discharge housing and bushing are standard and can be used in high speed powered conveyor applications.
- Long Life:** Bench tested at greater than 20 million revolutions @ 1,000 RPM / 816 SFM. Core ABEC bearing rated at 2,260 lbs.

* Not intended for straight Press Fit only.

FRANTZ

...Roll Easy with FRANTZ®

Customer Service, Product Samples and Quotations: 815.625.7063

FRANTZ Manufacturing Company P.O. Box 497, Sterling IL 61081-0497 www.frantz-mfg.com