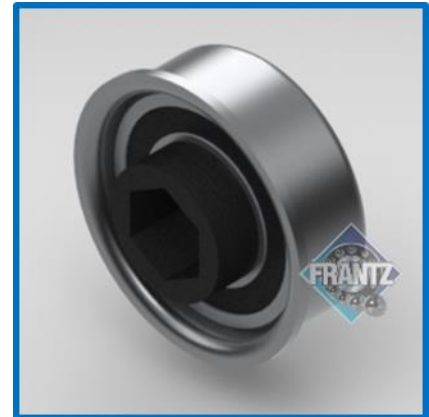




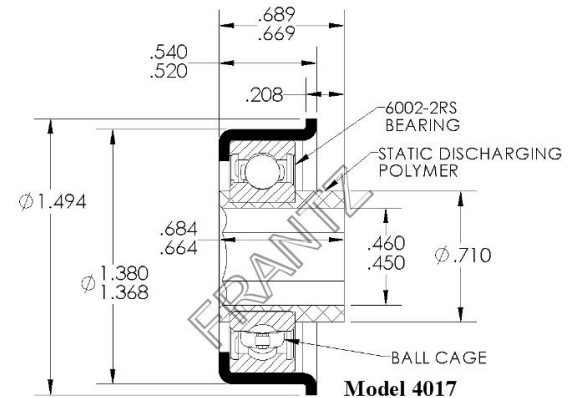
# 4017

## GenStar<sup>®</sup> Precision Bearing



### Specifications

- Bearing Type:** ABEC-1 Precision
- Load Capacity:** 300 lbs.
- Mounting Type:** Swage or Press Fit \*
- Tube Size/Gauge:** 1.5" x 16g
- Max OD of Body:** 1.380"
- Bore Size & Type:** 4017: 7/16" – Hex
- Extension:** 0.208"
- Lubrication:** Grease
- Noise Level:** Quiet
- Static Discharge:** Yes, Direct Injection Molded
- Temperature Range:** -4 to 180 Fahrenheit
- Protection:** Rubber Seals Front & Back
- Regreasable:** No – Maintenance Free



Part Number for Ordering: **4017: 4017226123**

### Applications: Benefits & Features

- Dual Purpose Bearing:** Great for use in either gravity or powered conveyor applications. Greased ABEC-1 Bearing provides maintenance-free operation.
- Targeted Applications:** Great for use with flexible conveyors in shipping/receiving loading docks or in production applications where flexible conveying provides value. Conveyor manufacturing, distribution/warehousing, food & beverage, air cargo/airports, manufacturing and packaging equipment. The low noise rating is a function of polymer bushing integrated with precise rolling elements.
- Can be used in high-speed applications:** Direct injection molded polymer static discharge bushing is standard and allows for excellent concentricity. Can be used in high speed powered conveyor applications.
- Long Life:** The core ABEC-1 bearing is rated at 1260 lbs. The ABEC-1 high speed rating coupled with the FRANTZ<sup>®</sup> IronGrip adapter assures long product life in many material handling and specialty equipment manufacturing applications.

\* Contact FRANTZ Customer Service if you have questions regarding Press Fit applications.

FRANTZ

...Roll Easy with FRANTZ<sup>®</sup>

Customer Service, Product Samples and Quotations: 815.625.7063

FRANTZ Manufacturing Company P.O. Box 497, Sterling IL 61081-0497 [www.frantz-mfg.com](http://www.frantz-mfg.com)