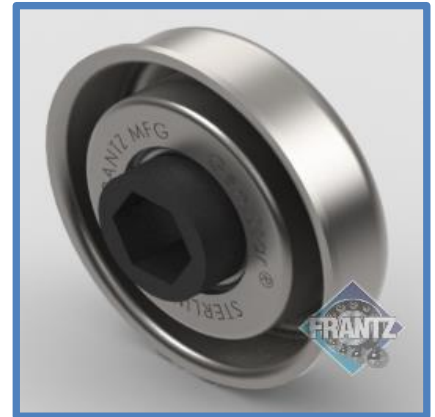




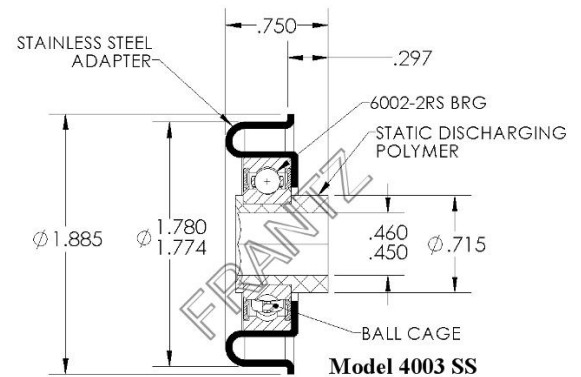
# 4003-SS

## GenStar® Precision Bearing



### Specifications

- Bearing Type:** ABEC-1 Precision
- Adapter Material:** 304 Stainless Steel
- Load Capacity:** 300 lbs.
- Mounting Type:** Slip and Swage
- Tube Size/Gauge:** 1.9" x 16g
- Max OD of Body:** 1.780"
- Bore Size & Type:** 7/16" – Hex
- Extension:** 5/16"
- Lubrication:** Grease
- Noise Level:** Quiet
- Static Discharge:** Yes, Direct Injection Molded
- Temperature Range:** -4 to 180 Fahrenheit
- Protection:** Rubber Seals Front & Back
- Regreasable:** No – Maintenance Free



Part Number for Ordering: Grs - 4003227123

### Applications: Benefits & Features

- Stainless Steel Adapter:** Stainless Steel Adapter offers excellent strength, corrosion resistance and allows intermittent washdown. Stainless steel adapter makes this ideal for areas where aesthetics or corrosion is a concern.
- Dual Purpose Bearing:** Great for use in either gravity or powered conveyor applications. Greased ABEC-1 Bearing provides maintenance-free operation.
- Targeted Applications:** Conveyor manufacturers, distribution/warehousing, food & beverage, air cargo/airports, manufacturing equipment and packaging equipment. The low noise rating is a function of polymer bushing integrated with precise rolling elements.
- Can be used in high-speed applications:** Direct injection molded polymer static discharge bushing is standard and allows for excellent concentricity. Can be used in high speed powered conveyor applications.
- Long Life:** Bench tested up to 780 SFM / 1228 RPM carrying a continuous load of 600 lbs. per roller. The core ABEC-1 bearing is rated at 1260 lbs. The bearing containing a high-speed core bearing assuring long life in many material handling and specialty equipment manufacturing applications.

...Roll Easy with FRANTZ®

FRANTZ

Customer Service, Product Samples and Quotations: 815.625.7063

FRANTZ Manufacturing Company P.O. Box 497, Sterling IL 61081-0497 [www.frantz-mfg.com](http://www.frantz-mfg.com)