



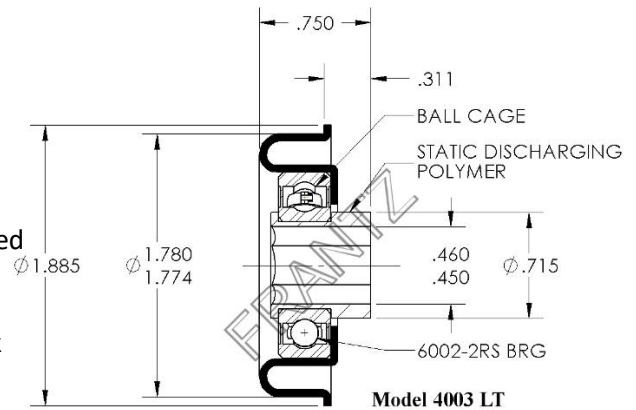
# 4003-LT

## GenStar® Precision Bearing



### Specifications

- Bearing Type:** ABEC-1 Precision Cold Temp
- Load Capacity:** 300 lbs.
- Mounting Type:** Swage or Press Fit \*
- Tube Size/Gauge:** 1.9" x 16g \*\*
- Max OD of Body:** 1.780"
- Bore Size & Type:** 7/16" – Hex
- Extension:** 5/16"
- Lubrication:** Exxon Beacon 325
- Noise Level:** Quiet
- Static Discharge:** Yes, Direct Injection Molded
- Temperature Range:** -58 to 180 Fahrenheit
- Protection:** Rubber Seals Front & Back
- Regreasable:** No – Maintenance Free



Part Number for Ordering: 4003226323

\*\* May be used in 2.0" x 12 gauge tube with Slip & Swage fitment.

### Applications: Benefits & Features

- Dual Purpose Bearing:** Great for use in either gravity or powered conveyor applications. Greased ABEC-1 Bearing provides maintenance-free operation. Exxon Beacon 325 offers excellent low temperature properties including low starting and running torque at very cold temperatures. Very good water resistance that ensures proper lubrication even in presence of incidental water contamination.
- Targeted Applications:** Conveyor manufacturers, distribution/warehousing, food & beverage, air cargo/airports, manufacturing equipment and packaging equipment. The low noise rating is a function of polymer bushing integrated with precise rolling elements.
- Can be used in high-speed applications:** Direct injection molded polymer static discharge bushing is standard and allows for excellent concentricity. Can be used in high speed powered conveyor applications.
- Long Life:** Bench tested up to 780 SFM / 1228 RPM carrying a continuous load of 600 lbs. per roller. The core ABEC-1 bearing is rated at 1260 lbs. The ABEC-1 high speed rating coupled with the FRANTZ® IronGrip adapter assures long product life in many material handling and specialty equipment manufacturing applications.

\* In Press Fit application, FRANTZ recommends a tube inside diameter with no less than 0.003" to 0.008" press fit interference. Contact FRANTZ Customer Service if you have questions regarding Press Fit applications.

...Roll Easy with FRANTZ®

FRANTZ

Customer Service, Product Samples and Quotations: 815.625.7063

FRANTZ Manufacturing Company P.O. Box 497, Sterling IL 61081-0497 [www.frantz-mfg.com](http://www.frantz-mfg.com)