

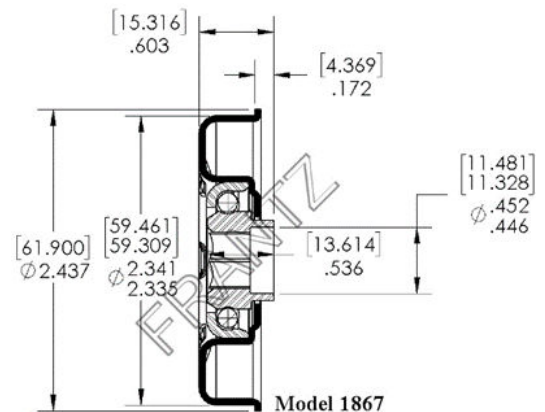
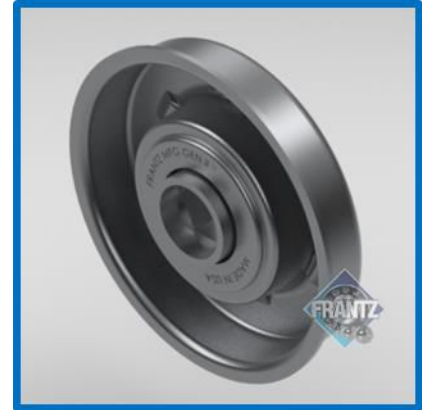
FRANTZ

1867

GenII® Semi Precision Bearing

Specifications

Bearing Type:	Semi Precision, Adapter Style
Load Capacity:	300 lbs.
Mounting Type:	Swage or Press Fit *
Tube Size/Gauge:	2.5" x 14g
Max OD of Body:	2.341"
Bore Size & Type:	7/16" – Hex
Extension:	.149"
Lubrication:	Oil or Grease
Noise Level:	Quiet
Temperature Range:	Oil, -10 to 400 F° (assumes no shock loading) Grease, -40 to 300 F°
Regreasable:	No – Maintenance Free



Part Number for Ordering: Oil - 1867226023
Grs - 1867226123

Applications: Benefits & Features

Precision Bearing Alternative: GenII® equals low noise, high speed and long life. Components manufactured utilize tight tolerances, which helps provide for longer product life compared to standard conveyor bearings. The FRANTZ Iron Grip carbon steel adapter allows for secure swage fitment.

Targeted Applications: Great for use where lightweight, yet high load capacity is important as 7/16" hex axle allows for overall weight reduction. Rack systems in a mezzanine is one such example. Use in gravity and high speed powered conveyors used primarily in packaging, shipping, warehousing and assembly. Also performs well in refrigerated/freezer applications.

Low Noise / High Speed Applications: Proprietary raceway manufacturing and precision Sterling® Steel Balls allows for lower operating noise levels and speeds up to 750 SFM.

Long Life: FRANTZ GenII® has been rigorously tested up to 10X the life of standard conveyor bearings and are engineered to exceed the CEMA standard of 1 million revolutions.

* In Press Fit application, FRANTZ recommends a tube inside diameter with no less than 0.003" to 0.008" press fit interference. Contact FRANTZ Customer Service if you have questions regarding Press Fit applications.

FRANTZ ... Roll Easy with FRANTZ

Customer Service, Product Samples and Quotations: 815.625.7063

Frantz Manufacturing Company P. O. Box 497 Sterling, IL 61081-0497 www.frantz-mfg.com