

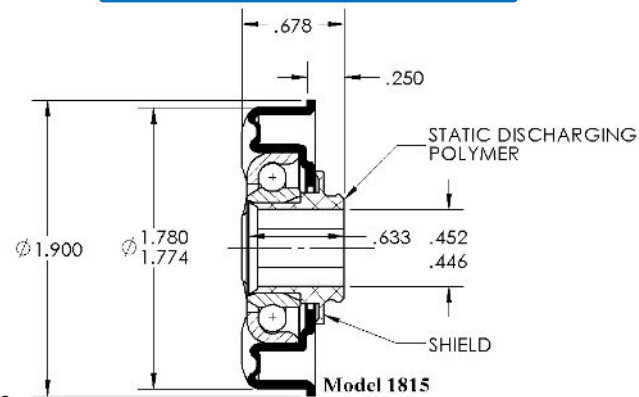
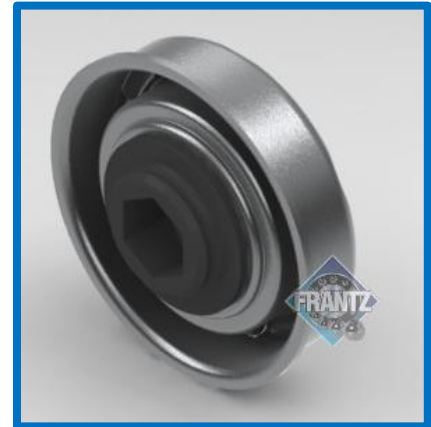
FRANTZ

1815

GenII® Semi Precision Bearing

Specifications

Bearing Type:	Semi Precision, Adapter Style
Load Capacity:	300 lbs.
Mounting Type:	Swage or Press Fit *
Tube Size/Gauge:	1.9" x 16g
Max OD of Body:	1.780"
Bore Size & Type:	7/16" – Hex
Extension:	1/4"
Lubrication:	Oil or Grease
Noise Level:	Quiet
Static Discharge:	Yes, Injection Molded Hex Insert
Temperature Range: (assumes no shock loading)	Oil, -10 to 180 F° Grease, -20 to 180 F° **
Protection:	Double Front Integral Shields
Regreasable:	No – Maintenance Free



Part Number for Ordering:

Oil - 1815226023

Grs - 1815226123

Note: Contact FRANTZ for minimal axle stake size recommendation.

Applications: Benefits & Features

Precision Bearing Alternative: GenII® equals low noise, high speed and long life. Components manufactured utilize tight tolerances, which helps provide for longer product life compared to standard conveyor bearings and a lower cost alternative to precision bearings. The FRANTZ Iron Grip carbon steel adapter allows for secure swage fitment.

Targeted Applications: Gravity and high speed powered conveyors used primarily in packaging, shipping, warehousing and assembly. Performs well in refrigerated/freezer applications.

Low Noise / High Speed Applications: Polymer bore insert isolates axle from assembly generating less noise and ensures dissipation of static electricity. Proprietary raceway manufacturing and precision Sterling® Steel Balls allows for lower operating noise levels and speeds up to 750 SFM.

Long Life: FRANTZ GenII® has been rigorously tested and provides up to 10X the life of standard commercial conveyor bearings.

* In Press Fit application, FRANTZ recommends a tube inside diameter with no less than 0.003" to 0.008" press fit interference. Contact FRANTZ Customer Service if you have questions regarding Press Fit applications. ** Temperature range limited by static discharge insert.

FRANTZ ... Roll Easy with FRANTZ

Customer Service, Product Samples and Quotations: 815.625.7063

Frantz Manufacturing Company P. O. Box 497 Sterling, IL 61081-0497

www.frantz-mfg.com