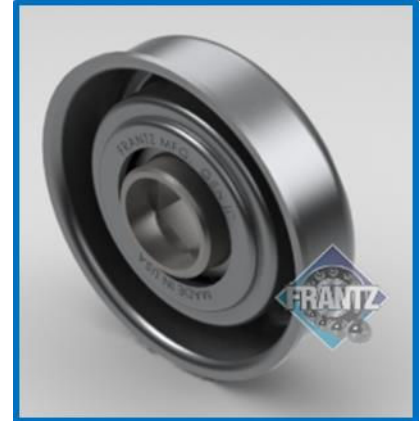




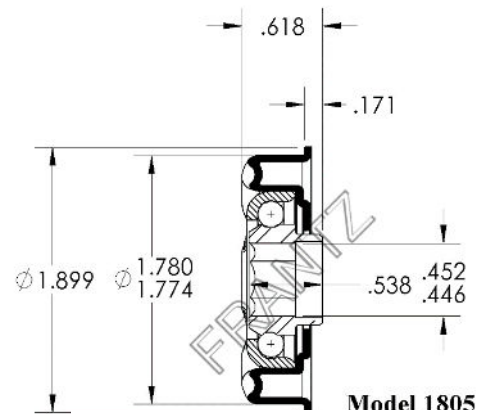
1805

GenII® Semi-Precision Bearing



Specifications

- Bearing Type:** Semi Precision, Adapter Style
- Load Capacity:** 300 lbs.
- Mounting Type:** Swage or Press Fit *
- Tube Size/Gauge:** 1.9" x 16g
- Max OD of Body:** 1.780"
- Bore Size & Type:** 7/16" – Hex
- Extension:** .172"
- Lubrication:** Oil or Grease
- Noise Level:** Quiet
- Static Discharge:** No; Available in model 1815 w/injection molded hex insert
- Temperature Range:** Oil, -10 to 400 F°
Grease, -40 to 300 F°
- Protection:** Front Integral Shield
- Regreasable:** No – Maintenance Free



Part Number for Ordering:
Oil - 1805226023
Grs - 1805226123

Applications: Benefits & Features

- Precision Bearing Alternative:** GenII® equals low noise, high speed and long life. Components manufactured utilize tight tolerances, which helps provide for longer product life compared to standard conveyor bearings and a lower cost alternative to precision bearings. The FRANTZ Iron Grip carbon steel adapter allows for secure swage fitment.
- Targeted Applications:** Gravity and powered conveyors used primarily in packaging, shipping, warehousing and assembly. Performs well in refrigerated/freezer applications.
- Low Noise / High Speed Applications:** Proprietary raceway manufacturing and precision Sterling® Steel Balls allows for lower operating noise levels and speeds up to 750 SFM.
- Long Life:** FRANTZ GenII® has been rigorously tested and provides up to 10X the life of standard commercial conveyor bearings.

* In Press Fit application, FRANTZ recommends a tube inside diameter with no less than 0.003" to 0.008" press fit interference. Contact FRANTZ Customer Service if you have questions regarding Press Fit applications.

...Roll Easy with FRANTZ®

FRANTZ

Customer Service, Product Samples and Quotations: 815.625.7063

FRANTZ Manufacturing Company P.O. Box 497, Sterling IL 61081-0497 www.frantz-mfg.com