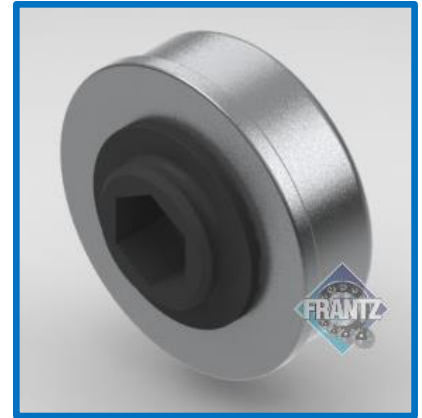




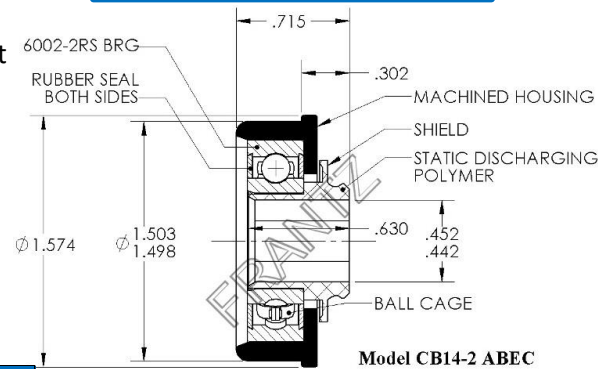
# CB14 Series

## ABEC-1 Precision Machined Bearings



### Specifications

- Bearing Type:** ABEC-1 Precision
- Load Capacity:** 450 lbs.
- Mounting Type:** Press Fit \*
- Lubrication:** Grease
- Noise Level:** Quiet
- Static Discharge:** Yes, Injection Molding Hex Insert
- Temperature Range:** -4 to 180 Fahrenheit
- Bore Size / Type:** 7/16", Hex
- Bore Length:** 0.63"
- Protection:** Front – Rubber Seal, Polymer Shield; Rear – Rubber Seal
- Regreasable:** No – Maintenance Free



Model CB14-2 ABEC

Model #	Tube Size (in.)	Tube Thickness	Max OD of Body	Flange Diameter	Bore Extension
CB14-13 ABEC	1 5/8	14g	1.457	1.537	0.340
CB14-1 ABEC	1 5/8	14g	1.469	1.537	0.340
CB14-2 ABEC	1 5/8	16g	1.503	1.574	0.302
CB14-3 ABEC	1 5/8	18g	1.529	1.600	0.302
CB14-5 ABEC	1 3/4	14g	1.603	1.675	0.302
CB14A-10 ABEC	1.9	9g	1.628	1.700	0.110
CB14A-6 ABEC	1.9	12g	1.712	1.783	0.110
CB14A-7 ABEC	1.9	12g	1.712	NA	0.048
CB14-4 ABEC	2	16g	1.880	1.951	0.302
CB14-11 ABEC	3	16g	2.873	NA	0.202

\* CB14-7 is Counterbore & Press Fit

### Applications: Benefits & Features

**ABEC-1 Precision Bearings:** Great for use in powered conveyor applications Greased ABEC-1 bearing provides maintenance-free operation.

**Targeted Applications:** Common 7/16" hex bore for convenient replacement of most conveyor roller bearings. Can be used in high speed powered applications as bearings feature injection molded polymer static discharge bushing. Polymer bushing runs quiet.

**Long Life:** The core ABEC-1 bearing is rated at 1,260 lbs. The ABEC-1 high speed rating coupled with the FRANTZ fully machined housing assures long product life in many material handling and specialty equipment manufacturing applications.

Customer Service, Product Samples and Quotations: 815.625.7063

FRANTZ Manufacturing Company P.O. Box 497, Sterling IL 61081-0497 [www.frantz-mfg.com](http://www.frantz-mfg.com)

FRANTZ

...Roll Easy with FRANTZ®