

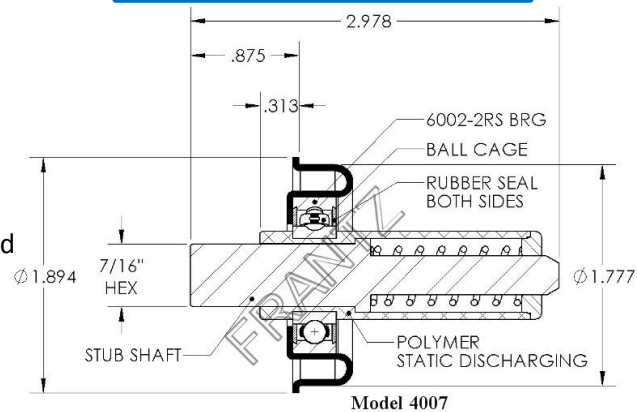
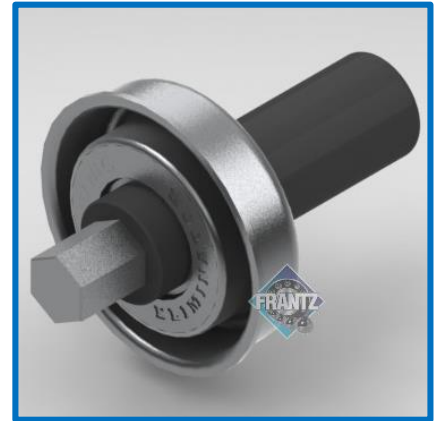


4007

GenStar® ELIMINATOR Precision Bearing

Specifications

- Bearing Type:** ABEC-1 Precision
- Load Capacity:** 135 lbs.
- Mounting Type:** Press & Swage Fit
- Tube Size/Gauge:** 1.9" x 16g
- Max OD of Body:** 1.780"
- Bore Size & Type:** 7/16" – Hex
- Extension:** 5/16"
- Lubrication:** Grease
- Noise Level:** Quiet
- Static Discharge:** Yes, Direct Injection Molding
- Temperature Range:** -4 to 180 Fahrenheit
- Protection:** Rubber Seals Front & Back
- Regreasable:** No – Maintenance Free



Part Number for Ordering: Grs - 4007226123

Applications: Benefits & Features

- Dual Purpose Bearing:** Great for use in either gravity or powered conveyor applications. Greased ABEC-1 Bearing provides maintenance-free operation.
- Targeted Applications:** Conveyor manufacturers, distribution/warehousing, food & beverage, air cargo/airports, manufacturing equipment and packaging equipment. The low noise rating is a function of polymer bushing integrated with precise rolling elements. Great option when minimizing total roller weight in application and/or transportation as significant axle weight is eliminated.
- Can be used in high-speed applications:** Direct injection molded polymer static discharge bushing assembly is standard and allows for excellent concentricity. Can be used in high speed powered conveyor applications. IronGrip adapter allows flexibility for various swaging/crimping pressures at the tube protecting and isolating the core bearing during the swage process.
- Long Life:** Bench tested up to 400 SFM / 642 RPM carrying a continuous load of 270 lbs. per roller. The core ABEC-1 bearing is rated at 1260 lbs. The ABEC-1 high speed rating coupled with the FRANTZ® IronGrip adapter assures long product life in many material handling and specialty equipment manufacturing applications.

...Roll Easy with FRANTZ®

FRANTZ

Customer Service, Product Samples and Quotations: 815.625.7063

FRANTZ Manufacturing Company P.O. Box 497, Sterling IL 61081-0497 www.frantz-mfg.com