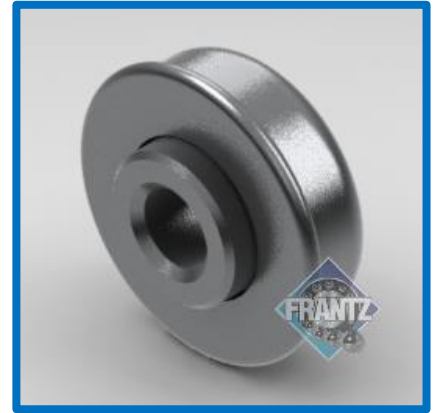




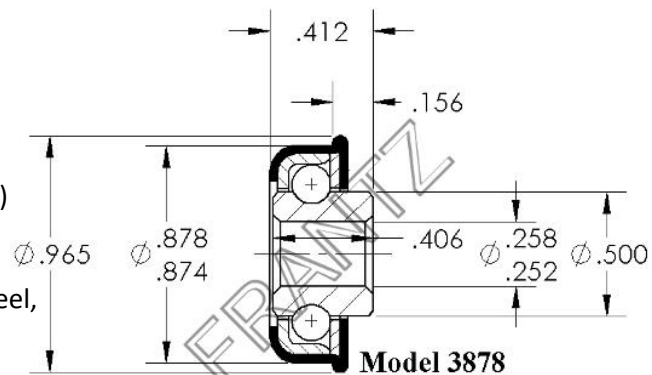
# 3876-3879

## Unground / Commercial Bearing



### Specifications

- Bearing Type:** Flanged Unground Commercial
- Load Capacity:** 40 lbs.
- Mounting Type:** Press Fit
- Tube Size/Gauge:** 1" x 16g
- Max OD of Body:** 0.965"
- Bore Size & Type:** 3876: 5/16" – Hex  
3878: 1/4" – Round  
3879: 5/16" – Round
- Extension:** 0.156"
- Lubrication:** Oil (Grease is Special Order)
- Temperature Range:** Oil, 0 to 400 F°
- Balls:** Precision ground carbon steel, case hardened



**Part Number for Ordering:**  
 3876 - 3876000023  
 3878 - 3878000023  
 3879 - 3879000023

...Roll Easy with FRANTZ®

**FRANTZ**

### Applications: Benefits & Features

**Non-Precision Bearings:** FRANTZ Non-Precision bearings offer the least rolling resistance, lower energy consumption and overall a greener option. Engineered to accommodate more axle deflection due to heavy loads or shock, especially when used in longer rollers (as compared to Precision or Semi-Precision bearings), often making non-precision bearings the product of choice in many conveyor designs.

**Targeted Applications:** Carton Rack and Gravity Conveyor applications at low to medium speeds requiring a small tube diameter used primarily in packaging, shipping, warehousing and assembly.  
**Wheel Bearing Application** – It is common the 38XX series bearing is used in 'wheel bearing' applications and may be a replacement bearing for Schatz 'AF' series, Kilian 'F' series, KD 'BR' series or other manufacturers such as Freeway or General Bearing.

**Long Life:** FRANTZ non-precision bearings are engineered and tested to exceed the CEMA standard of one million revolutions.

Customer Service, Product Samples and Quotations: 815.625.7063

FRANTZ Manufacturing Company P.O. Box 497, Sterling IL 61081-0497 [www.frantz-mfg.com](http://www.frantz-mfg.com)