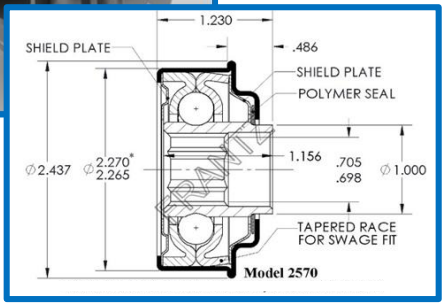
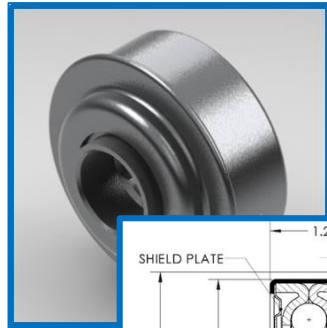




2550-2589

Unground / Commercial Bearing



Specifications

- Bearing Type:** Power Swage Flanged Unground Non-Precision
- Load Capacity:** 425 lbs.
- Mounting Type:** Press & Swage Fit
- Tube Size/Gauge:** 2.5" x 11g *
- Max OD of Body:** 2.270"
- Lubrication:** Oil or Grease

Model	Bore Size	Bore Type	Bore Length	Bore Ext.	Front Protection	Rear Protection	Regreasable Design
2550	11/16	H	0.827	0.170			
2552	11/16	H	0.827	0.170		Shield Plate	Bearing Face Port
2553	7/16	H	0.827	0.170		Shield Plate	Bearing Face Port
2555	11/16	H	0.827	0.170	Polymer Seal	Shield Plate	Bearing Face Port
2557	7/16	H	0.827	0.170	Polymer Seal	Shield Plate	Bearing Face Port
2558	5/8	H	0.827	0.170		Shield Plate	Bearing Face Port
2560	11/16	H	1 5/32	0.508			
2561	1/2	R	1 5/32	0.508			
2562	5/8	R	1 5/32	0.508			
2564	3/4	R	1 5/32	0.508			
2565	3/4	H	1 5/32	0.508			
2567	7/16	H	1 5/32	0.508			
2569	5/8	H	1 5/32	0.508			
2570	11/16	H	1 5/32	0.486	Polymer Seal, Shield Plate	Shield Plate	
2577	7/16	H	1 5/32	0.486	Polymer Seal, Shield Plate	Shield Plate	
2579	5/8	H	1 5/32	0.486	Polymer Seal, Shield Plate	Shield Plate	
2580	11/16	H	1 5/32	0.468	Felt Seal, Polymer Seal, Shield Plate	Shield Plate	Inner Race Ports
2587	7/16	H	1 5/32	0.468	Felt Seal, Polymer Seal, Shield Plate	Shield Plate	Inner Race Ports
2589	5/8	H	1 5/32	0.468	Felt Seal, Polymer Seal, Shield Plate	Shield Plate	Inner Race Ports

* Also fits into 2-1/2" 12g and 2-5/8" 7g; Using with 12g provides cost reduction opportunity for overall roller cost.

Note: FRANTZ offers swage tooling specifically designed for our 2500 series Power Swage bearings, securely locking the bearing to the tube, assuring proper fitment for long and durable product life.

High Temp applications - please consult with FRANTZ Customer Service for bearing and grease recommendations.

Applications: Benefits & Features

- Non-Precision Bearings:** FRANTZ Unground / Commercial bearings offer the least rolling resistance, lower energy consumption and overall a greener option. Engineered to accommodate more axle deflection due to heavy loads or shock, especially when used in longer rollers (as compared to Precision or Semi-Precision bearings), often making commercial bearings the product of choice in many conveyor designs.
- Targeted Applications:** Gravity or powered conveyor applications at low to medium speeds used primarily in packaging, palletizing, shipping, warehousing and assembly.
- Unique Tapered Race:** Swage with confidence as FRANTZ Power Swage bearings are engineered with a unique design allowing for heavier tubes to be swaged without damaging the bearing's rolling elements.
- Long Life:** FRANTZ Unground / Commercial bearings are engineered and tested to exceed the CEMA standard of one million revolutions.

...Roll Easy with FRANTZ®

FRANTZ

Customer Service, Product Samples and Quotations: 815.625.7063

FRANTZ Manufacturing Company P.O. Box 497, Sterling IL 61081-0497 www.frantz-mfg.com