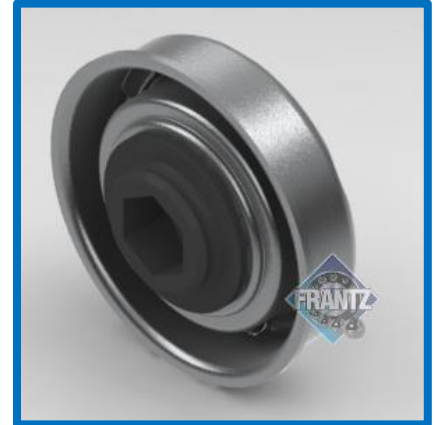


# FRANTZ

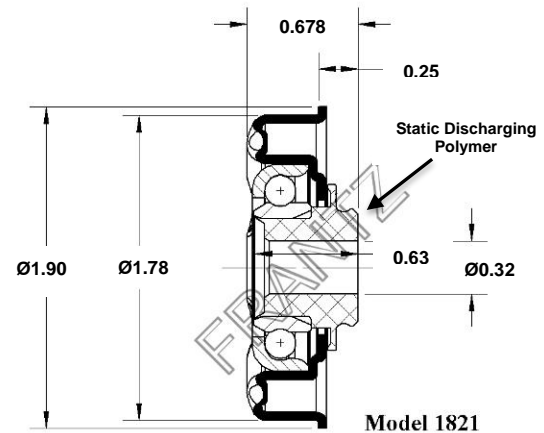
# 1821

## GenII® Semi Precision Bearing



### Specifications

<b>Bearing Type:</b>	Semi Precision, Adapter Style
<b>Load Capacity:</b>	300 lbs.
<b>Mounting Type:</b>	Swage or Press Fit *
<b>Tube Size/Gauge:</b>	1.9" x 16g
<b>Max OD of Body:</b>	1.780"
<b>Bore Size &amp; Type:</b>	5/16" – Round
<b>Extension:</b>	1/4"
<b>Lubrication:</b>	Oil or Grease
<b>Noise Level:</b>	Quiet
<b>Static Discharge:</b>	Yes, Injection Molding Insert
<b>Temperature Range:</b>	Oil, -10 to 180 F° (assumes no shock loading) Grease, -20 to 180 F° **
<b>Protection:</b>	Double Front Integral Shields
<b>Regreasable:</b>	No – Maintenance Free



Oil - 1821226023  
Grs - 1821226123

Note: Contact FRANTZ for minimal axle stake size recommendation.

### Applications: Benefits & Features

- Precision Bearing Alternative:** GenII® equals low noise, high speed and long life. Components manufactured utilize tight tolerances, which helps provide for longer product life compared to standard conveyor bearings and a lower cost alternative to precision bearings. The FRANTZ Iron Grip carbon steel adapter allows for secure swage fitment.
- Targeted Applications:** Gravity and high speed powered conveyors used primarily in packaging, shipping, warehousing and assembly. Performs well in refrigerated/freezer applications.
- Low Noise / High Speed Applications:** Polymer bore insert isolates axle from assembly generating less noise and ensures dissipation of static electricity. Proprietary raceway manufacturing and precision Sterling® Steel Balls allows for lower operating noise levels and speeds up to 750 SFM.
- Long Life:** FRANTZ GenII® has been rigorously tested and provides up to 10X the life of standard commercial conveyor bearings.

\* In Press Fit application, FRANTZ recommends a tube inside diameter with no less than 0.003" to 0.008" press fit interference. Contact FRANTZ Customer Service if you have questions regarding Press Fit applications. \*\* Temperature range limited by static discharge insert.

FRANTZ ... Roll Easy with FRANTZ

Customer Service, Product Samples and Quotations: 815.625.7063

Frantz Manufacturing Company P. O. Box 497 Sterling, IL 61081-0497 [www.frantz-mfg.com](http://www.frantz-mfg.com)