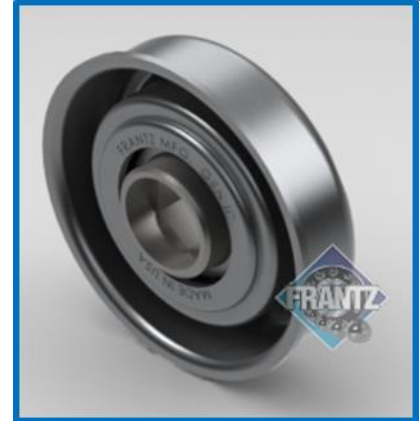




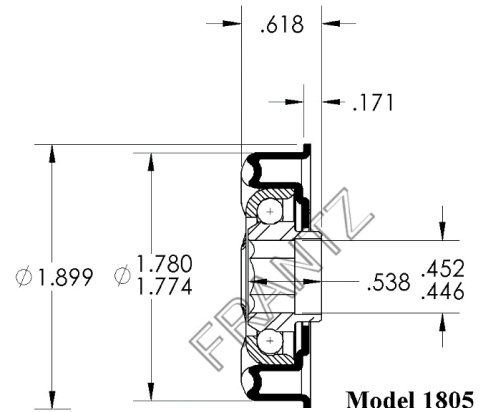
# 1805

## GenII® Semi-Precision Bearing



### Specifications

- Bearing Type:** Semi Precision, Adapter Style
- Load Capacity:** 300 lbs.
- Mounting Type:** Swage or Press Fit \*
- Tube Size/Gauge:** 1.9" x 16g
- Max OD of Body:** 1.780"
- Bore Size & Type:** 7/16" – Hex
- Extension:** .172"
- Lubrication:** Oil or Grease
- Noise Level:** Quiet
- Static Discharge:** No; Available in model 1815 w/injection molded hex insert
- Temperature Range:** Oil, -10 to 400 F°  
Grease, -40 to 300 F°
- Protection:** Front Integral Shield
- Regreasable:** No – Maintenance Free



Part Number for Ordering:  
Oil - 1805226023  
Grs - 1805226123

### Applications: Benefits & Features

- Precision Bearing Alternative:** GenII® equals low noise, high speed and long life. Components manufactured utilize tight tolerances, which helps provide for longer product life compared to standard conveyor bearings and a lower cost alternative to precision bearings. The FRANTZ Iron Grip carbon steel adapter allows for secure swage fitment.
- Targeted Applications:** Gravity and powered conveyors used primarily in packaging, shipping, warehousing and assembly. Performs well in refrigerated/freezer applications.
- Low Noise / High Speed Applications:** Proprietary raceway manufacturing and precision Sterling® Steel Balls allows for lower operating noise levels and speeds up to 750 SFM.
- Long Life:** FRANTZ GenII® has been rigorously tested and provides up to 10X the life of standard commercial conveyor bearings.

\* In Press Fit application, FRANTZ recommends a tube inside diameter with no less than 0.003" to 0.008" press fit interference. Contact FRANTZ Customer Service if you have questions regarding Press Fit applications.

Customer Service, Product Samples and Quotations: 815.625.7063

FRANTZ Manufacturing Company P.O. Box 497, Sterling IL 61081-0497 [www.frantz-mfg.com](http://www.frantz-mfg.com)

FRANTZ

...Roll Easy with FRANTZ®