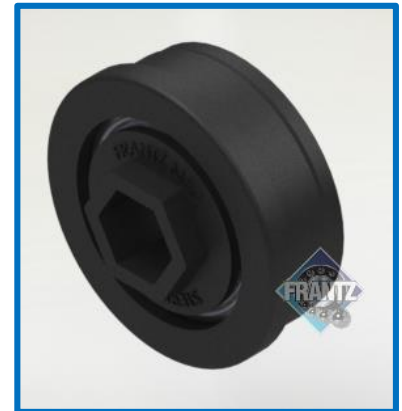




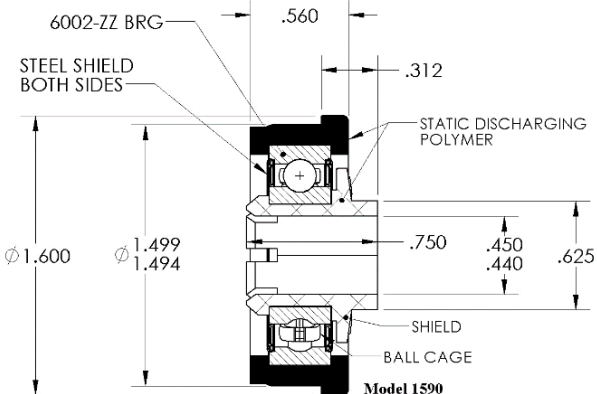
1590

ABEC-1 Precision Polymer Housed Bearing



Specifications

Bearing Type:	ABEC-1 Precision, Polymer Housed
Load Capacity:	300 lbs.
Mounting Type:	Slip & Swage Fit
Tube Size/Gauge:	1-5/8" x 16g <i>(See note on tapered roller application below)</i>
Max OD of Body:	1.499"
Bore Size & Type:	7/16" – Hex
Extension:	5/16"
Lubrication:	Grease
Noise Level:	Quiet
Static Discharge:	Yes, Direct Injection Molded Housing with Press-In Bushing
Temperature Range:	-4 to 150 Fahrenheit
Protection:	Front Integral Shield, Steel Front & Back
Regreasable:	No – Maintenance Free



Part Number for Ordering: Grs - 1590000123

Applications: Benefits & Features

Dual Purpose Bearing: Great for use in either gravity or powered conveyor applications. Greased ABEC-1 Bearing provides maintenance-free operation.

Targeted Applications: Conveyor manufacturers, distribution/warehousing, food & beverage, air cargo / airports, manufacturing equipment and packaging equipment. The low noise rating is a function of polymer components integrated with precise rolling elements.

Tapered Roller Application: When coupled with FRANTZ® IronGrip Adapters, the 1590 is an excellent option for 2-1/2" x 14g tapered rollers (or straight rollers).

#3133 IronGrip Adapter (Slip & Swage); #3135 (Press & Swage); #3139 (Heavy Press); Please consult FRANTZ Sales/Customer Service for details.

Can be used in high-speed applications: Direct injection molded polymer static discharge housing and bushing are standard and can be used in high speed powered conveyor applications.

Long Life: Bench tested polymer housed bearings provide 100,000,000+ revolutions @ 800 RPM / 468 SFM. The ABEC-1 high speed rating and precision machining assures long product life in many material handling and specialty equipment manufacturing applications.

Customer Service, Product Samples and Quotations: 815.625.7063

FRANTZ Manufacturing Company P.O. Box 497, Sterling IL 61081-0497 www.frantz-mfg.com

...Roll Easy with FRANTZ®

FRANTZ