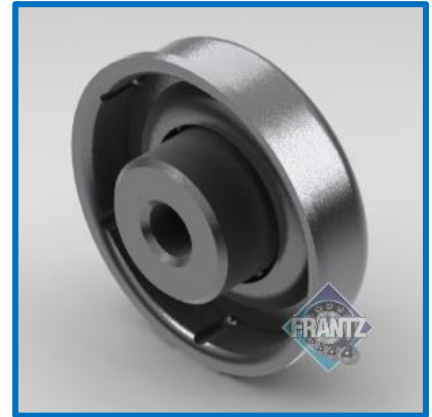




FRANTZ

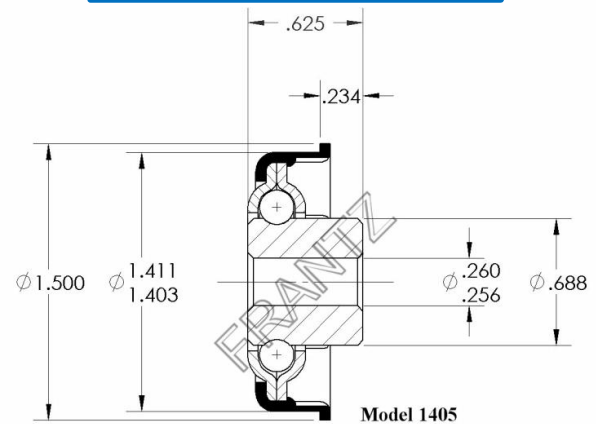
1405

Unground / Commercial Bearing



Specifications

- Bearing Type:** Flanged Unground Commercial
- Load Capacity:** 75 lbs.
- Mounting Type:** Press & Swage Fit
- Tube Size/Gauge:** 1-1/2" x 18g
- Max OD of Body:** 1.411"
- Bore Size & Type:** 1/4" – Round
- Extension:** .234"
- Lubrication:** Oil or Grease
- Temperature Range:** Oil, -40 to 400 F°
Grease, -40 to 300 F°
- Inner Race:** Machined & burnished ball groove, case hardened
- Outer Race:** Dual outer race structure, case hardened
- Balls:** Precision ground carbon steel, case hardened



Part Number for Ordering:
Oil - 1405226023
Grs - 1405226123

Applications: Benefits & Features

Non-Precision Bearings: FRANTZ Non-Precision bearings offer the least rolling resistance, lower energy consumption and overall a greener option. Engineered to accommodate more axle deflection due to heavy loads or shock, especially when used in longer rollers (as compared to Precision or Semi-Precision bearings), often making non-precision bearings the product of choice in many conveyor designs.

Targeted Applications: Gravity or powered conveyor applications at low to medium speeds requiring a small tube diameter used primarily in packaging, shipping, warehousing and assembly. [Tapered Roller Application](#) – Use in conjunction with FRANTZ model 1902. The 1902 is used on the small end of 1" x 18 gauge tube, while the 1405 is for the larger end, 1-1/2" x 18 gauge tube.

Long Life: FRANTZ non-precision bearings are engineered and tested to exceed the CEMA standard of one million revolutions.

...Roll Easy with FRANTZ®

FRANTZ

Customer Service, Product Samples and Quotations: 815.625.7063

FRANTZ Manufacturing Company P.O. Box 497, Sterling IL 61081-0497 www.frantz-mfg.com